



## AVC-VHN41FLT/2.8 AI

NDA  
COMPLIANT | CE | FCC

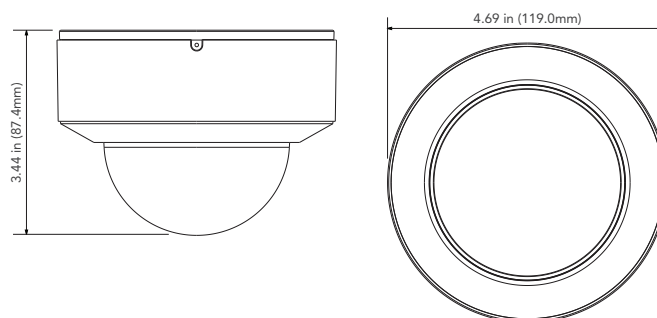
4MP H.265 NETWORK IR OUTDOOR VANDAL DOME CAMERA

### OVERVIEW

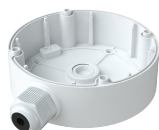
- 4MP H.265 Real Time Encoding
- Maximum Resolution: 2592 x 1520
- Fixed 2.8mm Lens
- Smart IR Illumination Up to 98ft(30m).
- True Day / Night
- Hardware Reset
- Built-in micro SD card slot with video and still image capture function (up to 256GB)
- Supports Three Streams
- NAT/P2P Function Optional
- Video Analytics: Line Crossing, Heat Map, People / Car Counting, Facial Detection, etc.
- Supports Remote Monitoring by Smart Phones & Tablet PCs with iOS and Android OS
- IP67 Outdoor Rating
- IK10 Ingress Protection
- DC12V / PoE (802.3af) <7W

### DIMENSIONS

Unit : inch(mm)



### OPTIONAL ACCESSORIES



AVM-DDMTS-W-TL1



AVM-EWMTS-W-TL1

## SPECIFICATIONS

CAMERA											
Image Sensor	1/3" Progressive Scan CMOS										
Image Size	2592 x 1520										
Electronic Shutter	1/3s to 1/100,000s										
Iris Type	Fixed Iris										
Min. Illumination	Color: 0.005 lux @ F1.6(AGC ON); BW: 0 lux with IR										
IR Distance	Up to 98ft										
Lens	Fixed 2.8mm @ F1.6 Horizontal FoV: 96° Vertical FoV: 55° Diagonal FoV: 115°										
Focus	Fixed										
Lens Mount	M12										
Day & Night	ICR										
Wide Dynamic Range	120dB										
Digital NR	3D DNR										
Backlight Compensation (BLC)	Yes										
Highlight Compensation (HLC)	Yes										
Defog	Yes										
Angle Adjustment	Pan: 0°~355° ; Tilt: 0°~67° ; Rotation:0°~355°										
VIDEO IMAGE											
Video Compression	Main stream: Smart H.265 / H.265+ / H.265 / Smart H.264 / H.264+ / H.264 Sub/third stream: H.265+ / H.265 / H.264+ / H.264 / MJPEG										
H.264 Compression Standard	Baseline Profile/Main Profile/High Profile										
Resolution	4MP (2592x1520), 2K (2560x1440), 3MP (2304x1296), 1080P (1920x1080), 720P (1280x720), D1, CIF, 480x240										
Main Stream	60Hz: 4MP/2K/3MP/1080P/720P (1~30fps); 50Hz: 4MP/2K/3MP/1080P/720P (1~25fps); HFR mode: 1080P/720P (60Hz: 1~60fps; 50Hz: 1~50fps)										
Sub Stream	60Hz: 720P/D1/CIF/480x240 (1~30fps);50Hz: 720P/D1/CIF/480x240 (1~25fps)										
Third Stream	Smart H.265 / H.265+ / H.265 / Smart H.264 / H.264+ / H.264 / MJPEG										
Video Bit Rate	64 Kbps ~ 8 Mbps (CBR / VBR Adjustable)										
Image Settings	ROI, Saturation, Brightness, Hue, Contrast, Wide Dynamic, Sharpness, Image Mirror, Image Flip, NR, etc. adjustable through client software or web browser										
ROI	Each ROI to be configured separately										
NETWORK / INTERFACE											
Network	1 x RJ45 10M / 100M Self-Adaptive Ethernet port										
Network Protocol	UDP, DHCP, NTP, RTP, PPPoE, DDNS, SMTP, FTP, SNMP, HTTP, HTTP POST, 802.1x, UPnP, HTTPs, QoS										
Interface Protocol	ONVIF										
Web Browser	IE11 (Plug-in required) / Google Chrome 89.0+ / Edge 89.0+ / Firefox 87.0+ / Safari 14.0+										
Online Connection	Support simultaneous monitoring for up to 10 users; Support multi-stream real time transmission										
Storage	Network remote storage; Micro SD/SDHC/SDXC Slot (up to 256GB) with video and still image capture function										
Video Output	No										
Audio	1CH audio input; 1CH build-in MIC										
Audio Compression	G711A / U										
Alarm	1CH audio input; 1CH build-in MIC										
Hardware Reset	Yes										
DORI DISTANCE											
	<table border="1"> <thead> <tr> <th>Lens</th> <th>Detect</th> <th>Observe</th> <th>Recognize</th> <th>Identify</th> </tr> </thead> <tbody> <tr> <td>2.8mm</td> <td>187.56ft (57.17m)</td> <td>75.03ft (22.87m)</td> <td>37.5ft (11.43m)</td> <td>18.76ft (5.72m)</td> </tr> </tbody> </table>	Lens	Detect	Observe	Recognize	Identify	2.8mm	187.56ft (57.17m)	75.03ft (22.87m)	37.5ft (11.43m)	18.76ft (5.72m)
Lens	Detect	Observe	Recognize	Identify							
2.8mm	187.56ft (57.17m)	75.03ft (22.87m)	37.5ft (11.43m)	18.76ft (5.72m)							
FUNCTIONS											
Remote Monitoring	Web Browser Interface, Mobile App, AVYCON CVMS 2.0										
Audio	Motion detection, sensor detection, SD card error, SD card full, IP address conflict, cable disconnection										
Smart Analytics	Line crossing, region intrusion/entrance/exiting detection (human/motor vehicle/non-motor vehicle classification), abandoned/missing object detection, Target counting by line/intrusion area/heat map, exception detection, face detection and face capture										
General Function	Watermark, IP address filtering, video mask, heartbeat, illegal login lock, image distortion correction, corridor pattern										
GENERAL											
Power Supply	DC12V / PoE (IEEE802.3af)										
Power Consumption	<7W										
Operating Environment	-30°C ~ 60°C (-22°F ~ 140°F) Humidity: less than 95% (non-condensing)										
Storage Environment	-30°C ~ 65°C (-22°F ~ 149°F) Humidity: less than 95% (non-condensing)										
Dimensions (in)	Ø 4.68 x 3.45										
Weight (lb)	Approx. 1.43 lbs										
Ingress Protection	IP 67 & IK 10										
Certificate	CE, FCC										
Installation	Ceiling mounting; Wall mounting										
Environmental Protection	Complies with Directive EU RoHS, WEEE(2012/19/EU), directive 94/62/EC and REACH (EC1907/2006)										